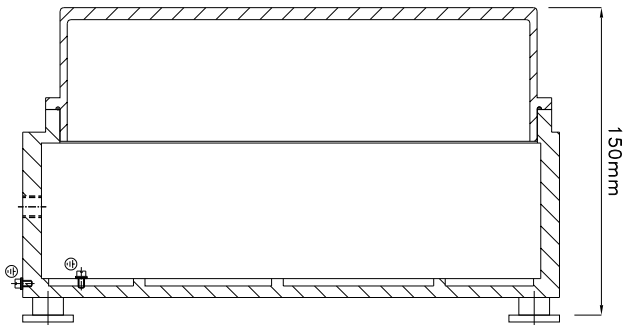


FRONT VIEW



SIDE VIEW

- Reference IS/IEC Standard as follows :
- 1 - FLAMEPROOF (Ex d) PROTECTION - IIA/IIb, IS/IEC 60079-1 (2014)
 - TEMPERATURE CLASS - T6
 - 2 - INGRESS (IP) PROTECTION - IP-66, IS/IEC 60529 (2001). (Reaffirmed 2014)

Standard Specification :

- 1 - MATERIAL - CAST ALUMINIUM ALLOY
- 2 - FINISH - INSIDE & OUTSIDE LIGHT GREY EPOXY POWDER COATING SHADE No. 631 AS PER IS-5
- 3 - EARTHING - 1 No. INSIDE & 2 Nos. OUTSIDE M6 SIZE S.S./BRASS SCREWS WITH 2 Nos. PLAIN WASHER
- 4 - HARDWARE - STAINLESS STEEL
- 5 - GASKET - 'O' RING NEOPRENE RUBBER GASKET
- 6 - MOUNTING ARRGT. - AS SHOWN IN DRG.

Material / Components Specification :

- 1 - S.S. NAME CUM WARNING PLATE (WITH DESCRIPTION TITLE, CIMFR, PESO, SR. NO., GAS GROUP, RATING, BIS MARKING, WARNING STATUS, etc...)
- 2 - INTERNAL SIZE OF ENCLOSURE (BODY+COVER) - 355 x 355 x 110mm
- 3 - M.S. PLATE WITH WHITE EPOXY POWDER COATING WILL BE PROVIDED OF SIZE : $\phi 330 \times 2\text{mm}$ Thk. (ENCLOSURE OPENING $\phi 350\text{mm}$)
- 4 - TERMINALS - CLIP-ON / BUSBAR TYPE TERMINALS OF 'CONNECTWELL/ ELMEX' MAKE (DETAIL TO BE SPECIFIED BY CUSTOMER)
- 5 - CABLE GLAND - (Ex d) DOUBLE COMPRESSION TYPE CABLE GLAND OF 'SUDHIR' MAKE
- 6 - STOPPING PLUG - (Ex d) STOPPING PLUG OF 'SUDHIR' MAKE

Fitting OPTIONS :

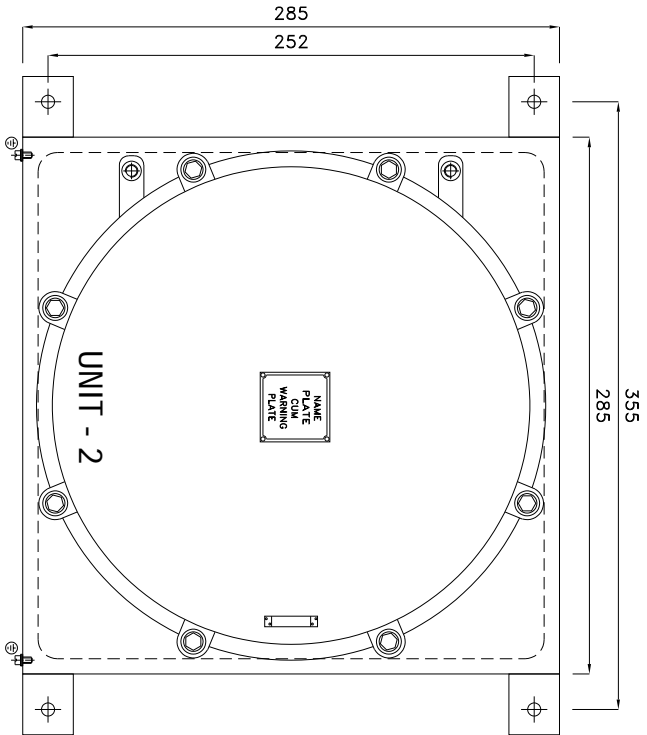
- 1) MATERIAL CONSTRUCTION : STAINLESS STEEL
- 2) VOLTAGE : 415V AC
- 3) CABLE GLAND & PLUG : BRASS/S.S./ALUMINIUM
- 4) PAINT SHADE : 632/355/7031/7032, etc... (As per Standard)
- 5) CANOPY : M.S. / G.I. / FRP
- 6) INTERNAL COMPONENTS : CU./AL. BUSBAR
- 7) AMP. RATING : UP TO 200 Amp. (MAX.)
- 8) CABLE ENTRIES : LEFT / RIGHT / TOP / BOTTOM SIDE
- 9) ENCLOSURE EXTERNAL SIZE : 385(W) x 385(H) x 150/200/250mm
- 10) ENCLOSURE INTERNAL SIZE : 355(W) x 355(H) x 110/160/210mm

NOTE :

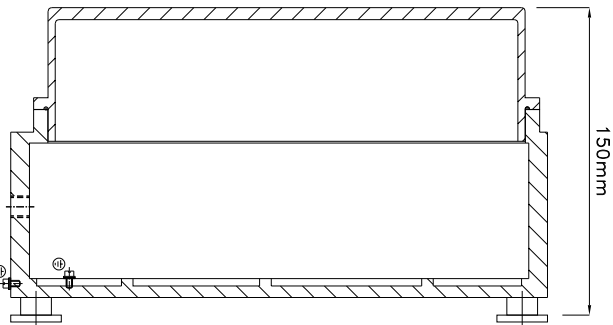
COMPONENT LAYOUT IS TENTATIVE RELOCATION OF PARTS & COMPONENTS IS POSSIBLE AT THE TIME OF ACTUAL MANUFACTURING.

OVERALL DIMENSIONS ARE $\pm 10\text{mm}$

<p>NOTE :</p> <p>COMPONENT LAYOUT IS TENTATIVE RELOCATION OF PARTS & COMPONENTS IS POSSIBLE AT THE TIME OF ACTUAL MANUFACTURING.</p> <p>OVERALL DIMENSIONS ARE $\pm 10\text{mm}$</p>		<p>CAT. No.</p> <p>MCDB/186</p> <p>MODEL No.:</p> <p>MCDB/186/B1</p> <p>DRN. <input type="checkbox"/></p> <p>CHKD. <input type="checkbox"/></p> <p>APPR. <input type="checkbox"/></p> <p>SHEET 1 OF 1</p> <p>SCALE N. T. S. REV.- 0</p>	<p>SUDHIR SWITCHGEARS PVT. LTD.</p> <p>130, MULBARI SAMACHAR MARG, MULBARI - 400 023</p> <p>TITLE : FLAMEPROOF-WEATHERPROOF ENCLOSURE FOR JUNCTION BOX</p> <p>CHKD. CERT. No. IN/CIMFR/TR20/733</p> <p>Dt. 04/03/2020</p>	<p>PESO No. : P535430/1</p> <p>Dt. 28/04/2022</p> <p>BIS LICENCE No. : CM/L-000331365</p>				
REV.	DATE	DESCRIPTION	DRN.	CHKD.	APPR.	SCALE	N. T. S.	REV.- 0



FRONT VIEW



SIDE VIEW

- Reference IS/IEC Standard as follows :
- 1 - FLAMEPROOF (Ex d) PROTECTION - IIA/IIb, IS/IEC 60079-1 (2014)
 - TEMPERATURE CLASS - T6
 - 2 - INGRESS (IP) PROTECTION - IP-66, IS/IEC 60529 (2001). (Reaffirmed 2014)

Standard Specification :

- 1 - MATERIAL - CAST ALUMINIUM ALLOY
- 2 - FINISH - INSIDE & OUTSIDE LIGHT GREY EPOXY POWDER COATING SHADE No. 631 AS PER IS-5
- 3 - EARTHING - 1 No. INSIDE & 2 Nos. OUTSIDE M6 SIZE S.S./BRASS SCREWS WITH 2 Nos. PLAIN WASHER
- 4 - HARDWARE - STAINLESS STEEL
- 5 - GASKET - 'O' RING NEOPRENE RUBBER GASKET
- 6 - MOUNTING ARRGT. - AS SHOWN IN DRG.

Material / Components Specification :

- 1 - S.S. NAME CUM WARNING PLATE (WITH DESCRIPTION TITLE, CIMFR, PESO, SR. NO., GAS GROUP, RATING, BIS MARKING, WARNING STATUS, etc...)
- 2 - INTERNAL SIZE OF ENCLOSURE (BODY+COVER) - 255 x 295 x 110mm
- 3 - M.S. PLATE WITH WHITE EPOXY POWDER COATING WILL BE PROVIDED OF SIZE : $\phi 245 \times 2\text{mm}$ Thk. (ENCLOSURE OPENING $\phi 250\text{mm}$)
- 4 - TERMINALS - CLIP-ON / BUSBAR TYPE TERMINALS OF 'CONNECTWELL/ ELMEX' MAKE (DETAIL TO BE SPECIFIED BY CUSTOMER)
- 5 - CABLE GLAND - (Ex d) DOUBLE COMPRESSION TYPE CABLE GLAND OF 'SUDHIR' MAKE
- 6 - STOPPING PLUG - (Ex d) STOPPING PLUG OF 'SUDHIR' MAKE

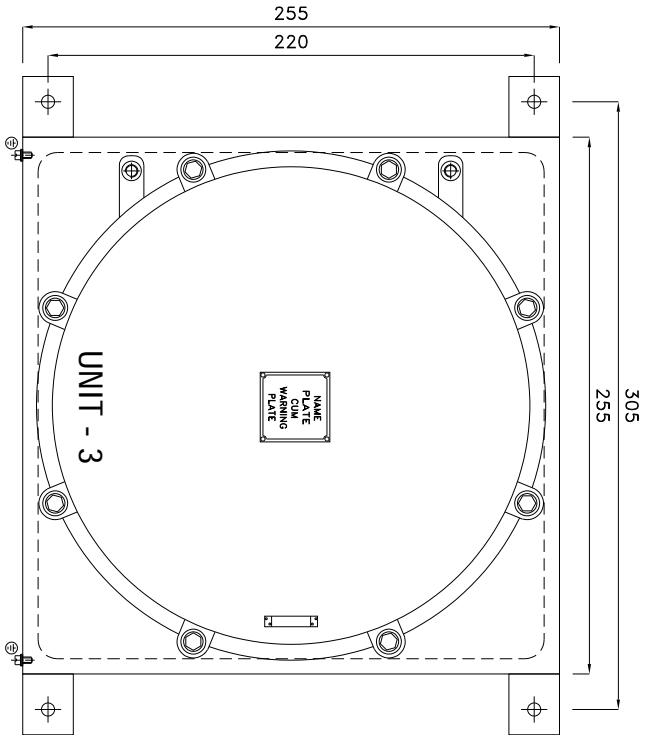
Fitting OPTIONS :

- 1) MATERIAL CONSTRUCTION : STAINLESS STEEL
- 2) VOLTAGE : 415V AC
- 3) CABLE GLAND & PLUG : BRASS/S.S./ALUMINIUM
- 4) PAINT SHADE : 632/356/7031/7032, etc... (As per Standard)
- 5) CANOPY : M.S. / G.I. / FRP
- 6) INTERNAL COMPONENTS : CU./AL. BUSBAR
- 7) AMP. RATING : UP TO 100 Amp. (MAX.)
- 8) CABLE ENTRIES : LEFT / RIGHT / TOP / BOTTOM SIDE
- 9) ENCLOSURE EXTERNAL SIZE : 285(W) x 285(H) x 150/200/250mm
- 10) ENCLOSURE INTERNAL SIZE : 255(W) x 255(H) x 110/160/210mm

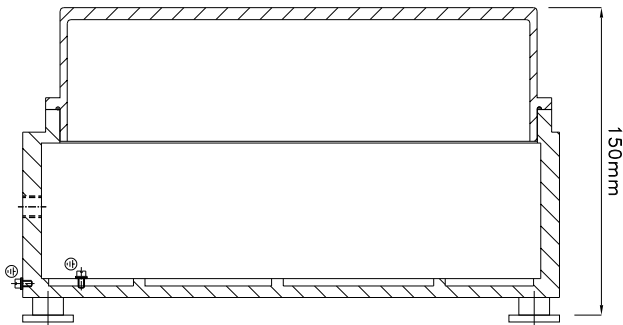
NOTE :

- COMPONENT LAYOUT IS TENTATIVE RELOCATION OF PARTS & COMPONENTS IS POSSIBLE AT THE TIME OF ACTUAL MANUFACTURING.
- OVERALL DIMENSIONS ARE $\pm 10\text{mm}$

<p>NOTE :</p> <ul style="list-style-type: none"> • COMPONENT LAYOUT IS TENTATIVE RELOCATION OF PARTS & COMPONENTS IS POSSIBLE AT THE TIME OF ACTUAL MANUFACTURING. • OVERALL DIMENSIONS ARE $\pm 10\text{mm}$ 		<p>CAT. No. MCDB/186</p> <p>MODEL No.: MCDB/186/B2</p> <p>DRN. profile APPD. JASHAKH</p> <p>SHEET 1 OF 1</p> <p>SCALE N. T. S. REV.- 0</p>	<p>SUDHIR SWITCHGEARS PVT. LTD. 130, MULBARI SAMACHAR MARG, MULBARI - 400 023</p> <p>TITLE : FLAMEPROOF-WEATHERPROOF ENCLOSURE FOR JUNCTION BOX</p> <p>QMR. CERT. No. IN/CIMFR/TR20/733</p> <p>PESO No. : P535430/1</p> <p>BIS LICENCE No. : CM/L-000331365</p>			
REV.	DATE	DESCRIPTION	DRN.	CHNO.	APPD.	SCALE
Δ
Δ



FRONT VIEW



SIDE VIEW

- Reference IS/IEC Standard as follows :
- 1 - FLAMEPROOF (Ex d) PROTECTION - IIA/IIb, IS/IEC 60079-1 (2014)
 - TEMPERATURE CLASS - T6
 - 2 - INGRESS (IP) PROTECTION - IP-66, IS/IEC 60529 (2001). (Reaffirmed 2014)

Standard Specification :

- 1 - MATERIAL - CAST ALUMINIUM ALLOY
- 2 - FINISH - INSIDE & OUTSIDE LIGHT GREY EPOXY POWDER COATING SHADE No. 631 AS PER IS-5
- 3 - EARTHING - 1 No. INSIDE & 2 Nos. OUTSIDE M6 SIZE S.S./BRASS SCREWS WITH 2 Nos. PLAIN WASHER
- 4 - HARDWARE - STAINLESS STEEL
- 5 - GASKET - 'O' RING NEOPRENE RUBBER GASKET
- 6 - MOUNTING ARRGT. - AS SHOWN IN DRG.

Material / Components Specification :

- 1 - S.S. NAME CUM WARNING PLATE (WITH DESCRIPTION TITLE, CIMFR, PESO, SR. NO., GAS GROUP, RATING, BIS MARKING, WARNING STATUS, etc...)
- 2 - INTERNAL SIZE OF ENCLOSURE (BODY+COVER) - 225 x 225 x 110mm
- 3 - M.S. PLATE WITH WHITE EPOXY POWDER COATING WILL BE PROVIDED OF SIZE : $\phi 210 \times 2\text{mm}$ Thk. (ENCLOSURE OPENING $\phi 220\text{mm}$)
- 4 - TERMINALS - CLIP-ON / BUSBAR TYPE TERMINALS OF 'CONNECTWELL/ ELMEX' MAKE (DETAIL TO BE SPECIFIED BY CUSTOMER)
- 5 - CABLE GLAND - (Ex d) DOUBLE COMPRESSION TYPE CABLE GLAND OF 'SUDHIR' MAKE
- 6 - STOPPING PLUG - (Ex d) STOPPING PLUG OF 'SUDHIR' MAKE

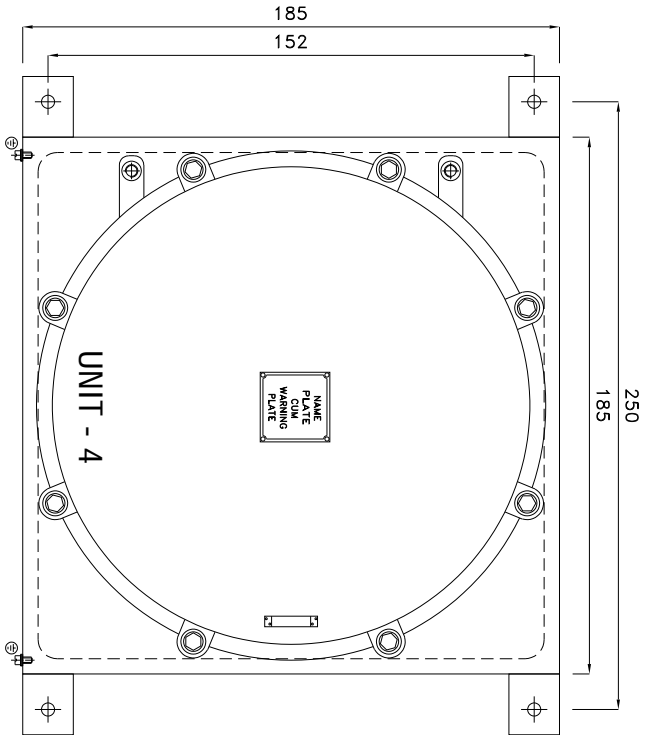
Fitting OPTIONS :

- 1) MATERIAL CONSTRUCTION : STAINLESS STEEL
- 2) VOLTAGE : 415V AC
- 3) CABLE GLAND & PLUG : BRASS/S.S./ALUMINIUM
- 4) PAINT SHADE : 632/356/7031/7032, etc... (As per Standard)
- 5) CANOPY : M.S. / G.I. / FRP
- 6) INTERNAL COMPONENTS : CU./AL. BUSBAR
- 7) AMP. RATING : UPTO 100 Amp. (MAX.)
- 8) CABLE ENTRIES : LEFT / RIGHT / TOP / BOTTOM SIDE
- 9) ENCLOSURE EXTERNAL SIZE : 255(W) x 255(H) x 150/200/250mm
- 10) ENCLOSURE INTERNAL SIZE : 225(W) x 225(H) x 110/160/210mm

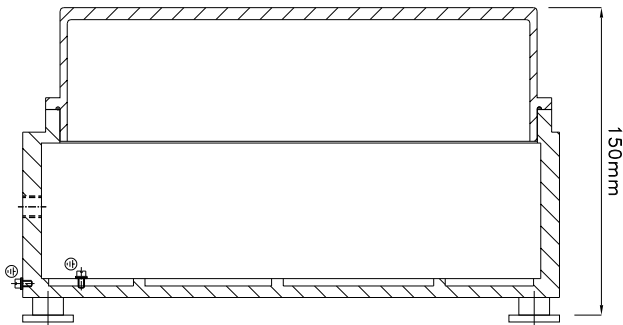
NOTE :

- COMPONENT LAYOUT IS TENTATIVE RELOCATION OF PARTS & COMPONENTS IS POSSIBLE AT THE TIME OF ACTUAL MANUFACTURING.
- OVERALL DIMENSIONS ARE $\pm 10\text{mm}$

<p>NOTE :</p> <ul style="list-style-type: none"> • COMPONENT LAYOUT IS TENTATIVE RELOCATION OF PARTS & COMPONENTS IS POSSIBLE AT THE TIME OF ACTUAL MANUFACTURING. • OVERALL DIMENSIONS ARE $\pm 10\text{mm}$ 		<p>CAT. No. MCDB/186</p> <p>MODEL No.: MCDB/186/B3</p> <p>DRN. <input type="checkbox"/> ISSUED <input type="checkbox"/></p> <p>APPR. <input type="checkbox"/></p> <p>SHEET 1 OF 1</p> <p>SCALE N. T. S. REV.- 0</p>	<p>SUDHIR SWITCHGEARS PVT. LTD. 130, MULBARI SAMACHAR MARG, MULBARI - 400 023</p> <p>TITLE : FLAMEPROOF-WEATHERPROOF ENCLOSURE FOR JUNCTION BOX</p> <p>CHKD. CERT. No. IN/CIMFR/TR20/733</p> <p>PESO No. : P535430/1</p> <p>BIS LICENCE No. : CM/L-000331365</p>					
REV.	DATE	DESCRIPTION	DRN.	CHKD.	APPR.	SCALE	N. T. S.	REV.- 0



FRONT VIEW



SIDE VIEW

- Reference IS/IEC Standard as follows :
- 1 - FLAMEPROOF (Ex d) PROTECTION - IIA/IIb, IS/IEC 60079-1 (2014)
 - TEMPERATURE CLASS - T6
 - 2 - INGRESS (IP) PROTECTION - IP-66, IS/IEC 60529 (2001). (Reaffirmed 2014)

Standard Specification :

- 1 - MATERIAL - CAST ALUMINIUM ALLOY
- 2 - FINISH - INSIDE & OUTSIDE LIGHT GREY EPOXY POWDER COATING SHADE No. 631 AS PER IS-5
- 3 - EARTHING - 1 No. INSIDE & 2 Nos. OUTSIDE M6 SIZE S.S./BRASS SCREWS WITH 2 Nos. PLAIN WASHER
- 4 - HARDWARE - STAINLESS STEEL
- 5 - GASKET - 'O' RING NEOPRENE RUBBER GASKET
- 6 - MOUNTING ARRGT. - AS SHOWN IN DRG.

Material / Components Specification :

- 1 - S.S. NAME CUM WARNING PLATE (WITH DESCRIPTION TITLE, CIMFR, PESO, SR. NO., GAS GROUP, RATING, BIS MARKING, WARNING STATUS, etc...)
- 2 - INTERNAL SIZE OF ENCLOSURE (BODY+COVER) - 155 x 155 x 110mm
- 3 - M.S. PLATE WITH WHITE EPOXY POWDER COATING WILL BE PROVIDED OF SIZE : $\phi 135 \times 2\text{mm}$ Thk. (ENCLOSURE OPENING $\phi 150\text{mm}$)
- 4 - TERMINALS - CLIP-ON / BUSBAR TYPE TERMINALS OF 'CONNECTWELL/ ELMEX' MAKE (DETAIL TO BE SPECIFIED BY CUSTOMER)
- 5 - CABLE GLAND - (Ex d) DOUBLE COMPRESSION TYPE CABLE GLAND OF 'SUDHIR' MAKE
- 6 - STOPPING PLUG - (Ex d) STOPPING PLUG OF 'SUDHIR' MAKE

Fitting OPTIONS :

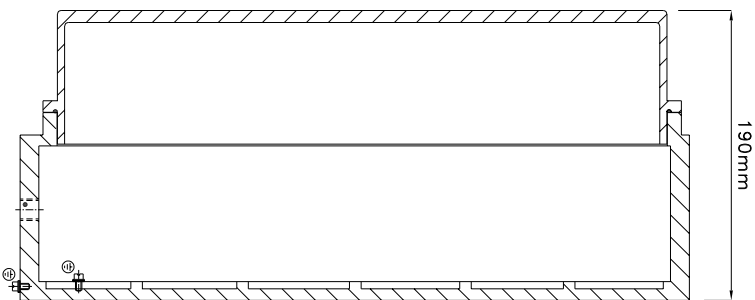
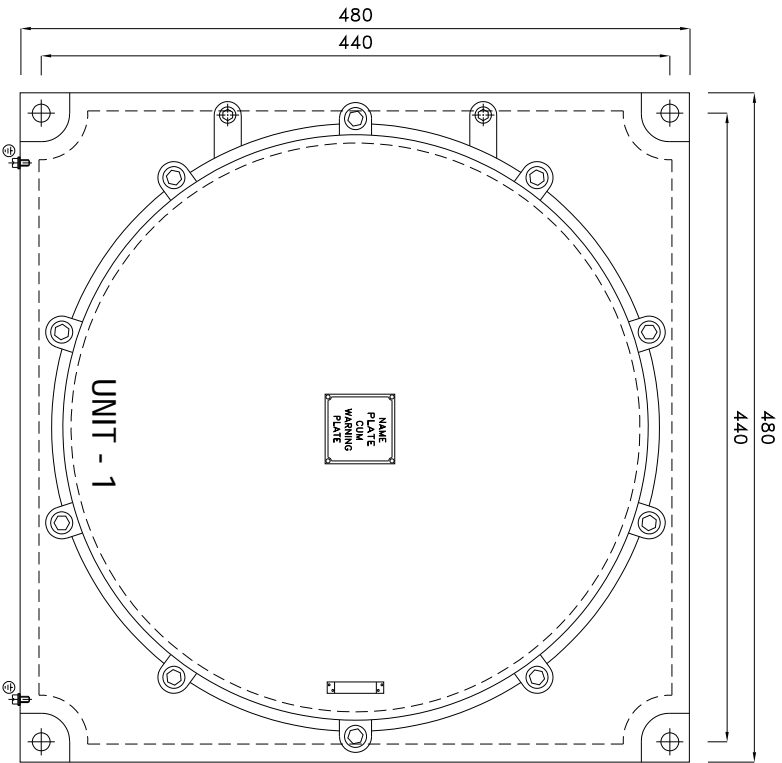
- 1) MATERIAL CONSTRUCTION : STAINLESS STEEL
- 2) VOLTAGE : 415V AC
- 3) CABLE GLAND & PLUG : BRASS/S.S./ALUMINIUM
- 4) PAINT SHADE : 632/355/7031/7032, etc... (As per Standard)
- 5) CANOPY : M.S. / G.I. / FRP
- 6) INTERNAL COMPONENTS : CU./AL. BUSBAR
- 7) AMP. RATING : UPTO 100 Amp. (MAX.)
- 8) CABLE ENTRIES : LEFT / RIGHT / TOP / BOTTOM SIDE
- 9) ENCLOSURE EXTERNAL SIZE : 185(W) x 185(H) x 150/200/250mm
- 10) ENCLOSURE INTERNAL SIZE : 155(W) x 155(H) x 110/160/210mm

NOTE :

COMPONENT LAYOUT IS TENTATIVE RELOCATION OF PARTS & COMPONENTS IS POSSIBLE AT THE TIME OF ACTUAL MANUFACTURING.

OVERALL DIMENSIONS ARE $\pm 10\text{mm}$

<p>NOTE :</p> <p>COMPONENT LAYOUT IS TENTATIVE RELOCATION OF PARTS & COMPONENTS IS POSSIBLE AT THE TIME OF ACTUAL MANUFACTURING.</p> <p>OVERALL DIMENSIONS ARE $\pm 10\text{mm}$</p>		<p>CAT. No. : MCDB/186</p> <p>MODEL No. : MCDB/186/B4</p> <p>DRN. : JASNAK</p> <p>APPR. : JASNAK</p> <p>SHEET : 1 OF 1</p> <p>SCALE : N. T. S. REV.- 0</p>		<p>SUDHIR SWITCHGEARS PVT. LTD.</p> <p>130, MULBARI SAMACHAR MARG, MULBARI - 400 023</p> <p>TITLE : FLAMEPROOF-WEATHERPROOF ENCLOSURE FOR JUNCTION BOX</p> <p>CHKD. CERT. No. : IN/CIMFR/TR20/733</p> <p>Dt. : 04/03/2020</p>		<p>PESO No. : P535430/1</p> <p>Dt. : 28/04/2022</p> <p>BIS LICENCE No. : CM/L-000331365</p>	
REV.	DATE	DESCRIPTION	DRN.	CHKD.	APPR.	SCALE	



FRONT VIEW

SIDE VIEW

Fitting OPTIONS :

- 1) MATERIAL CONSTRUCTION : STAINLESS STEEL
- 2) VOLTAGE : 415V AC
- 3) CABLE GLAND & PLUG : BRASS/S.S./ALUMINIUM
- 4) PAINT SHADE : 632/355/7031/7032, etc... (As per Standard)
- 5) CANOPY : M.S. / G.I. / FRP
- 6) INTERNAL COMPONENTS : CU./AL. BUSBAR
- 7) AMP. RATING : UPTO 400 Amp. (MAX.)
- 8) CABLE ENTRIES : LEFT / RIGHT / TOP / BOTTOM SIDE
- 9) ENCLOSURE EXTERNAL SIZE : 480(W) x 480(H) x 190/220/270/320mm
- 10) ENCLOSURE INTERNAL SIZE : 450(W) x 450(H) x 160/190/240/290mm

Reference IS/IEC Standard as follows :

- 1 - FLAMEPROOF (Ex d) PROTECTION - IIA/IIb, IS/IEC 60079-1 (2014)
- TEMPERATURE CLASS - T6
- 2 - INGRESS (IP) PROTECTION - IP-66, IS/IEC 60529 (2001). (Reaffirmed 2014)

Standard Specification :

- 1 - MATERIAL - CAST ALUMINIUM ALLOY
- 2 - FINISH - INSIDE & OUTSIDE LIGHT GREY EPOXY POWDER COATING SHADE No. 631 AS PER IS-5
- 3 - EARTHING - 1 No. INSIDE & 2 Nos. OUTSIDE M6 SIZE S.S./BRASS SCREWS WITH 2 Nos. PLAIN WASHER
- 4 - HARDWARE - STAINLESS STEEL
- 5 - GASKET - 'O' RING NEOPRENE RUBBER GASKET
- 6 - MOUNTING ARRGT. - AS SHOWN IN DRG.

Material / Components Specification :

- 1 - S.S. NAME CUM WARNING PLATE (WITH DESCRIPTION TITLE, CIMFR, PESO, SR. NO., GAS GROUP, RATING, BIS MARKING, WARNING STATUS, etc...)
- 2 - INTERNAL SIZE OF ENCLOSURE (BODY+COVER) - 450 x 450 x 160mm
- 3 - M.S. PLATE WITH WHITE EPOXY POWDER COATING WILL BE PROVIDED OF SIZE : $\phi 400 \times 2\text{mm}$ Thk. (ENCLOSURE OPENING $\phi 420\text{mm}$)
- 4 - TERMINALS - CLIP-ON / BUSBAR TYPE TERMINALS OF 'CONNECTWELL/ ELMEX' MAKE (DETAIL TO BE SPECIFIED BY CUSTOMER)
- 5 - CABLE GLAND - (Ex d) DOUBLE COMPRESSION TYPE CABLE GLAND OF 'SUDHIR' MAKE
- 6 - STOPPING PLUG - (Ex d) STOPPING PLUG OF 'SUDHIR' MAKE

NOTE :

COMPONENT LAYOUT IS TENTATIVE RELOCATION OF PARTS & COMPONENTS IS POSSIBLE AT THE TIME OF ACTUAL MANUFACTURING.

OVERALL DIMENSIONS ARE $\pm 10\text{mm}$

<p>NOTE :</p> <p>COMPONENT LAYOUT IS TENTATIVE RELOCATION OF PARTS & COMPONENTS IS POSSIBLE AT THE TIME OF ACTUAL MANUFACTURING.</p> <p>OVERALL DIMENSIONS ARE $\pm 10\text{mm}$</p>		<p>CAT. No. MCDB/186</p> <p>MODEL No.: MCDB/186/B5</p> <p>DRN. : JMSHW</p> <p>CHKD. : ASHW</p> <p>APPR. : ASHW</p> <p>SHEET : 1 OF 1</p> <p>SCALE : N. T. S. REV.- 0</p>	<p>SUDHIR SWITCHGEARS PVT. LTD. 130, MULBARI SAMACHAR MARG, MULBARI - 400 023</p> <p>TITLE : FLAMEPROOF-WEATHERPROOF ENCLOSURE FOR JUNCTION BOX</p> <p>CHKD. CERT. No. IN/CIMFR/TR20/733</p> <p>PESO No. : P535430/1</p> <p>BIS LICENCE No. : CM/L-000331365</p>			
REV.	DATE	DESCRIPTION	DRN.	CHKD.	APPR.	SCALE